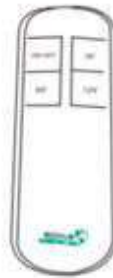




UVGI LEO-6 V2 AIR STERILIZER

Lightwave: UV-C primarily in the 253.7nm wavelength
Power: AC220-230V,50Hz
UV intensity inside the chamber: 15,000 $\mu\text{w}/\text{cm}^2$
Bulb lifespan: 8 000 operational hours
Ballast lifespan: 20 000 operational hours
Bulb length: 217mm
Power of bulb: 18 watts amalgam
Negative ions: 2 millions/cc
PCO plate inside coated with SM nano 1152 TiO_2
PP plasma filter
Effective area: 30 square meters
Net weight: 2.5 kgs
Built-in suction fan with pilot light
indicating when UV-C lamp needs to be replaced



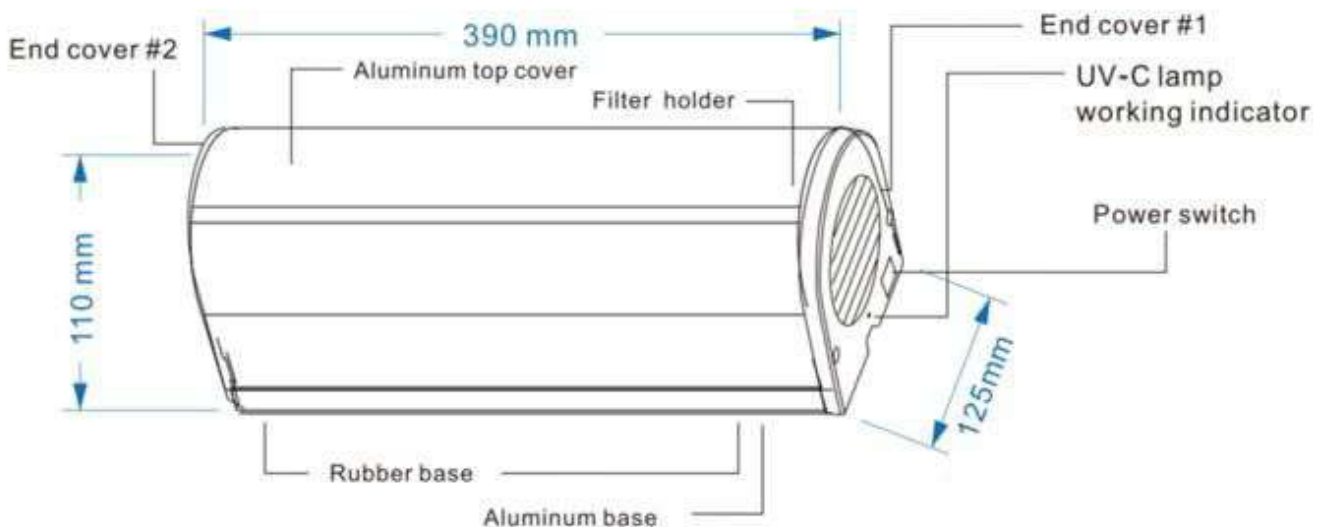
Note: When operating the UVGI LEO 6v2 in environments where pets are present, it is essential to limit the runtime to a maximum duration of 15 minutes. This precaution ensures their safety and well-being while maintaining effective sterilization.

Breathe Easy. Stay Fresh. Stay Safe.
Introducing the LEO 6 v2 by Soma Medical –
Your Daily 15-Minute Solution for a Healthier Environment

Tailored for Hotels & Pet Shops

Odours, mold, dust mites, and airborne pathogens can compromise not just air quality—but also your guests' and customers' comfort, health, and perception of your space. Designed with your industry in mind, the Soma Medical LEO 6 v2 offers a powerful and efficient air purification solution, working quietly and effectively in just 15 minutes a day.

Structural Representation and Schematic Diagram



**To mitigate against airborne viruses,
bacteria, mold and yeast.**

UVGI LEO-6 V2